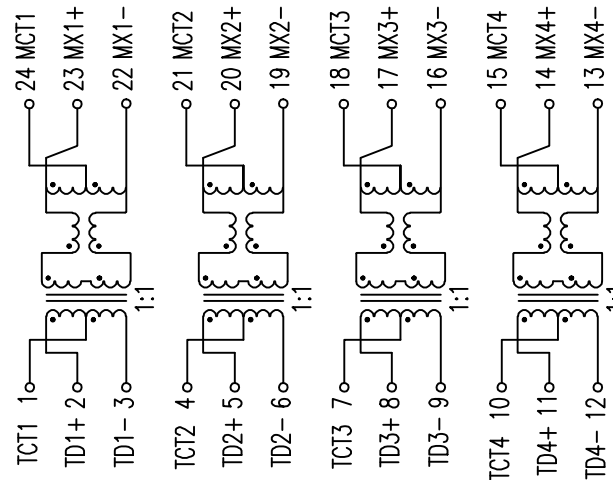


SUGGESTED PAD LAYOUT

UNLESS OTHERWISE SPECIFIED ALL TOLERANCES ARE ±0.25mm



ELECTRICAL CHARACTERISTICS @25°C:

- INSULATION HI-POT : 1500Vrms/1mA, 60Sec.
- TURN RATIO (±5%) : 1CT : 1CT
- OCL : 350uH MIN. 8mA/DC Bias
- DCR : 1.2Ω MAX.
- LK : 0.5uH MAX.
- CROSS TALK (dB MIN.) : 1-100MHz ; -30dB MIN.
- INSERTION LOSS (1MHz-100MHz) : -1.1dB MAX.
- RETURN LOSS (dB MIN. @100 Ω) :

1-30MHz	40MHz	50MHz	60-80MHz	100MHz
-18	-14.4	-13.1	-12	-10
- DIFFERENTIAL TO COMMON MODE REJECTION (dB MIN.) :

1-100MHz	-30dB MIN.
----------	------------
- RoHS COMPLIANT

					AOEM		TITLE 100/1000 BASE-T TRANSFORMER	
							DWG. NO. ATPL-107GR-33	
RELEASE		09/27/2018	SHIRLEY	BETTY	BETTY	UNITS: M/M	SAFETY	SHEET 1 OF 1
NO:	DESCRIPTION	DATE	BY	CHK	APPD	DATE	P/N:	DRAW
REVISIONS						09/27/18		SHIRLEY